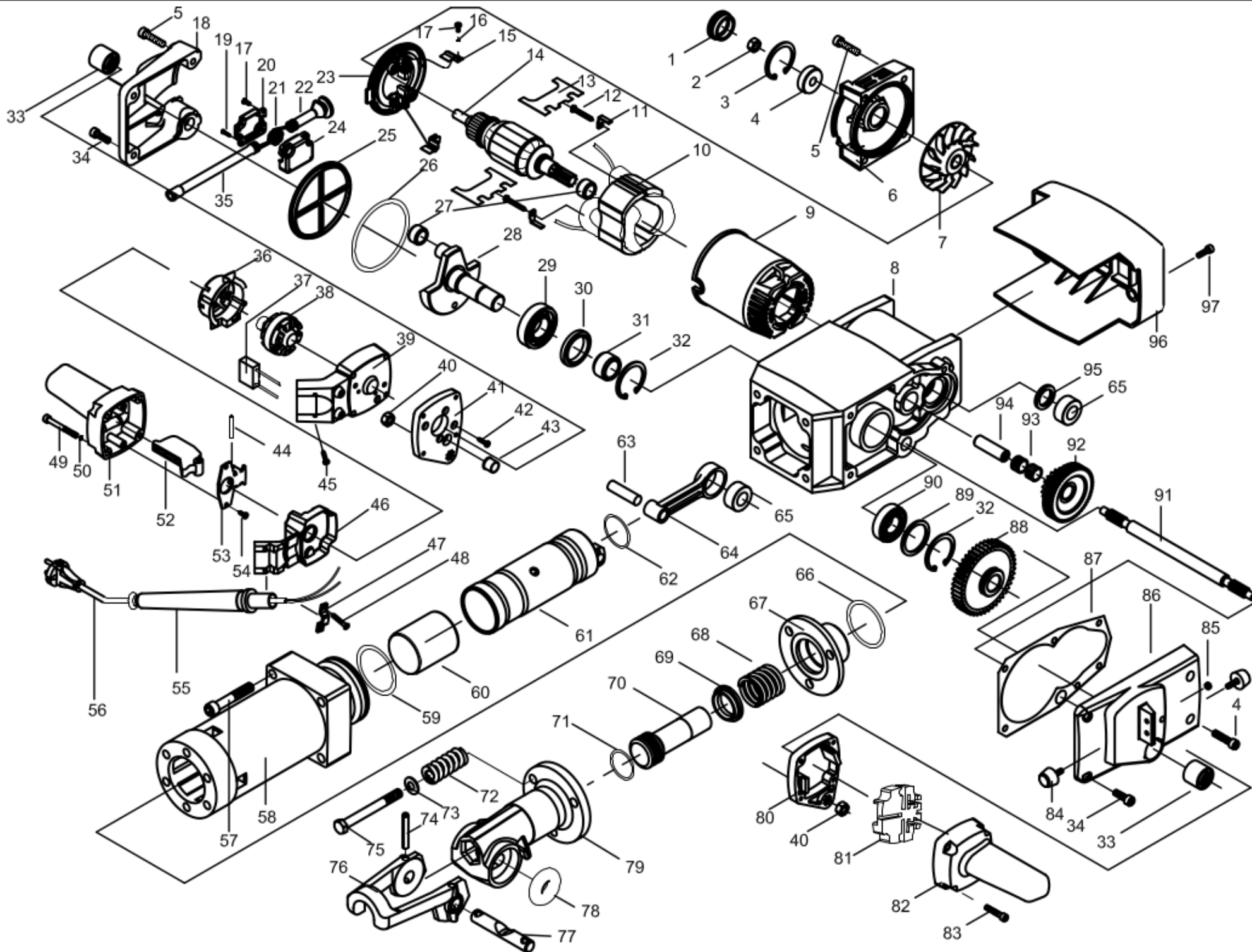


CTR-2911 - PARTS BREAKDOWN



N	Part Name	Q	N	Part Name	Q	N	Part Name	Q
1	Top Cover	1	36	Switch Cover	1	71	O-Ring ϕ 45 \times ϕ 5	2
2	Locking Bolt M12 \times 1.25	1	37	Capacitance	1	72	Spring ϕ 6.5	3
3	Circlip ϕ 38	1	38	Switch HY87	1	73	Saddle Gasket	3
4	Deep Groove Ball Bearing 6301-2Z	1	39	Switch Chamber	1	74	Pole Pin ϕ 8*55	2
5	Bolt M8 \times 35	9	40	Locking Nut M10 \times 1-6H	2	75	Bolt M12 \times 110	3
6	Motor Bottom Cover	1	41	Right Side Pendulum	1	76	Tool Holder	1
7	Fan	1	42	Tap Bolt ST4.2 \times 19	2	77	Pin Axis	1
8	Crank Shaft Case	1	43	Sheath Ring	1	78	Urathune Ring	2
9	Motor Housing	1	44	Pin B5 \times 28	1	79	Tool Holder Socket	1
10	Stator	1	45	Tap Bolt ST4.2 \times 16	2	80	Left Side Pendulum	1
11	Stator Holding Plate	2	46	Switch Chamber Cover	1	81	Left Handle	1
12	Tap Bolt ST4.8 \times 60	2	47	Cable Nip	1	82	Tool Holder	1
13	Stator Locking Plate	2	48	Tap Bolt ST4.8 \times 25	2	83	Bolt M6 \times 30	4
14	Rotor	1	49	Bolt M6 \times 55	4	84	Anti-Vibration Plate	2
15	Carbon Brushes	2	50	Spring Washer ϕ 6	4	85	Nut M6	2
16	Spring Washer ϕ 4	2	51	Right Handle	1	86	Gear Case	1
17	Bolt M4 \times 12	4	52	Switch Lever	1	87	Seal Washer	1
18	Right Side Bottem Cover	1	53	Switch Lever Holding	1	88	Big Gear	1
19	Tap Bolt ST3.5 \times 9.5	2	54	Tap Bolt ST4.2 \times 13	2	89	Adjustment Gasket	1
20	Inductance Cover	1	55	Cord Sheath	1	90	Deep Groove Ball Bearing 6205	1
21	Inductance	1	56	Plug	1	91	Spline Axis	1
22	Stator Wiring Sheath	57	57	Bolt M12 \times 70	4	92	Medium Gear	1
23	Aire Baffle As'y	1	58	Cylinder Case	1	93	Needle Bearing K16 \times 20 \times 12.5	2
24	Inductance Holding	1	59	O-Ring	1	94	Medium Axis	1
25	Oil Seal Cover	1	60	Ram	1	95	Felt Ring Seal	1
26	Seal Ring	1	61	Piston	1	96	Motor Cover	1
27	Bearing NA4904 Inner Ring	2	62	Connector Ring	1	97	Bolt M6 \times 20	4
28	Crank Shaft	1	63	Piston Pin	1			
29	Roller Bearing NU206EM	1	64	Connector	1			
30	Oil Seal ϕ 35 \times ϕ 52 \times 8	1	65	NA4904 Outer Ring	2			
31	Roller	1	66	Front Fixing Seal Ring	1			
32	Circlip ϕ 52	2	67	Front Fixing Cover	1			
33	Spline Cuff	2	68	Spring ϕ 45	1			
34	Bolt M8 \times 20	4	69	Orientation Sheath	1			
35	Inductance Wiring Sheath	1	70	Second Striker	1			