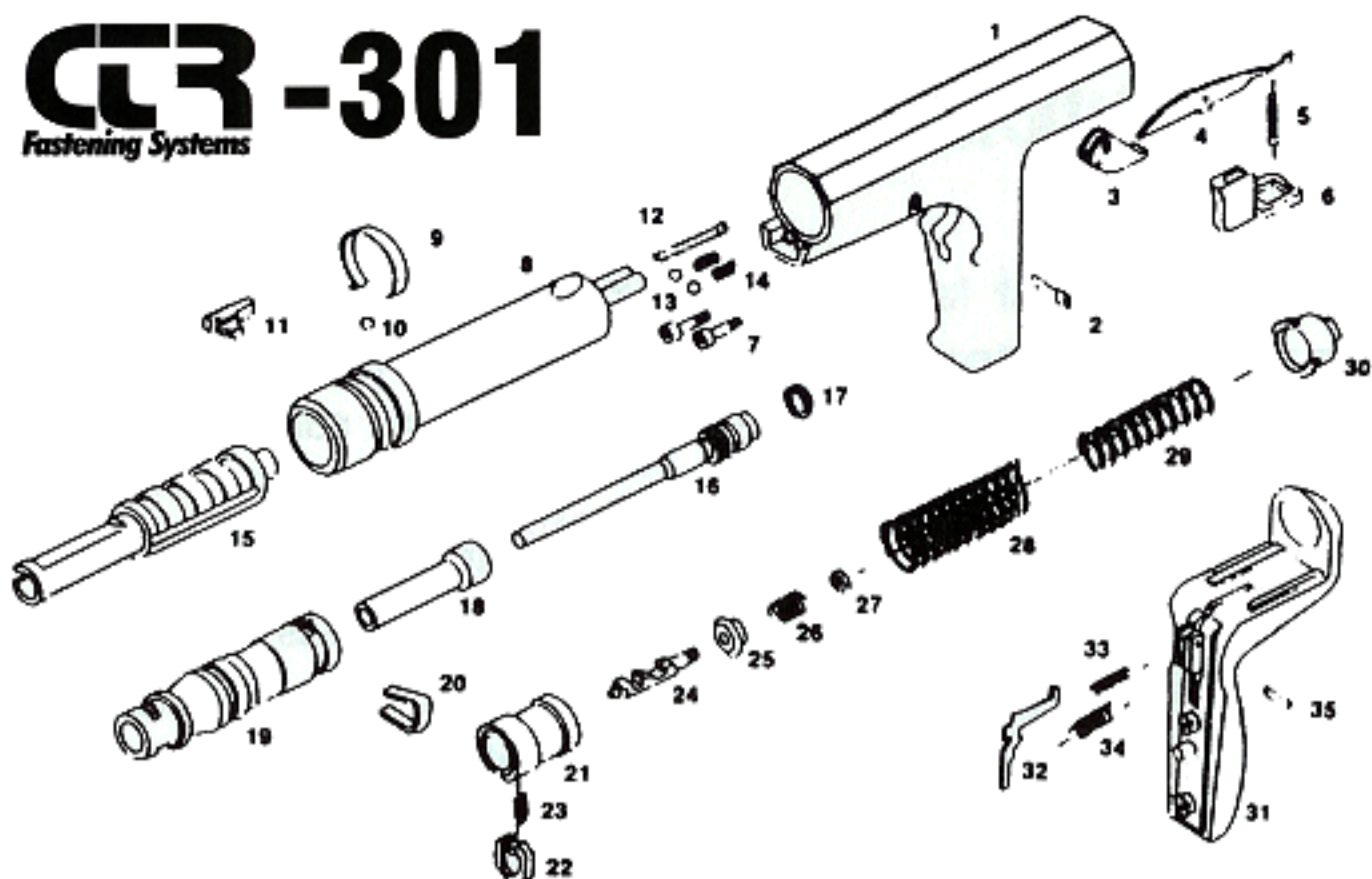


# CTR-301

Fastening Systems



## CTR-301 Parts Price List

Part #	Code 1	Code 2	Description	Price
1	301002	27	Tool body	\$210.00
2	301034	7	Trigger pin	\$7.70
3	301529	37	Advance bar holder	\$3.85
4	301530	8	Advance bar	\$8.33
5	301531	9	Advance bar spring	\$1.33
6	301533	38	Trigger	\$1.75
7	301015	6	Bolt	\$2.73
8	303100	33	Liner	\$175.00
9	301014	3	Annular spring	\$2.56
10	301013	2	Annular spring ball	\$1.29
11	301012	1	Stop	\$8.93
12	301016	4	Push pin	\$5.11
13	301046	5	Balance ball	\$1.33
14	301047	5	Balance spring	\$2.45
15	301006	26	Piston sleeve	\$51.10
16	301207	13	Piston	\$57.54
17	301208	14	Piston ring	\$11.27
18	301010	12	Guide	\$51.10
19	301009	10	Baseplate	\$89.46
20	301011	11	Shear clip	\$1.33
21	301300	34	Sear holder	\$54.53
22	301023	35	Sear	\$3.85
23	301024	15	Sear spring	\$5.11
24	301419	16	Firing pin assy.	\$32.13
25	301420	17	Firing pin spring holder	\$6.51
26	301421	18	Spring	\$2.59
27	301422	19	Firing pin nut	\$1.33
28	301026	20	Sear holder spring	\$12.81
29	301025	20	Firing pin spring	\$12.81
30	301028	21	Plug	\$21.35
31	301601	32	Rubber pad assy.	\$13.30
32	301601	22	Rock arm	\$11.27
33	301840	24	Upper rock arm spring	\$3.85
34	301843	23	Lower rock arm spring	\$8.19
35	301845	25	Rock arm pin	\$1.33
36	not pictured	36	Advance lever bushing	\$4.13
37	not pictured	28	Sear holder retainer	\$2.59