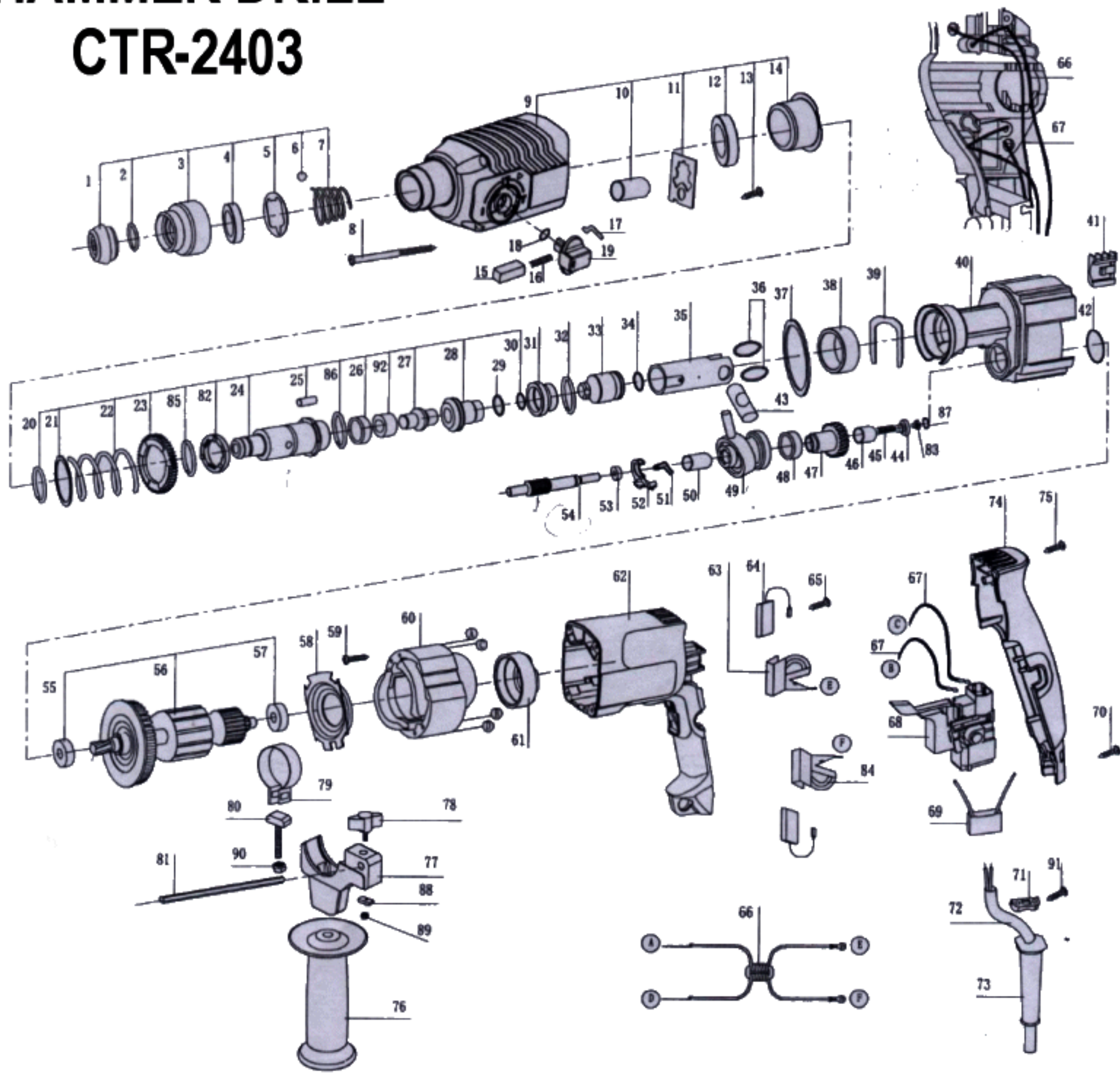


# HAMMER DRILL

## CTR-2403



NUMBER	DESCRIPTION	QUANTITY	NUMBER	DESCRIPTION	QUANTITY	NUMBER	DESCRIPTION	QUANTITY	NUMBER	DESCRIPTION	QUANTITY
1	PROTECTIVE CAP	1	24	RATCHET SLEEVE/SDS-PLUS	1	47	CYLINDRICAL GEAR	1	70	SCREW (ST4.2 x 16)	2
2	RETAINING RING (19x2)	1	25	PIN	3	48	NEEDLE BEARING (K15)	1	71	CORD CLIP	1
3	PROTECTION SLEEVE	1	26	SCRAPOR	1	49	DRIVE END SHIELD	1	72	CORD	1
4	THRUST RING	1	27	IMPACT BOLT	1	50	NEEDLE BUSHING HK0908	1	73	CORD GUARD	1
5	HOLDING PLATE	1	28	GUIDE BUSHING	1	51	SPRING CLIP	1	74	HOUSING COVER	1
6	BALL (C7.14)	1	29	O-RING	1	52	SHIFT FORK	1	75	SCREW (ST4.2 x 19)	1
7	SPRING	1	30	O-RING	1	53	BALL BEARING (699)	1	76	AUXILIARY HANDLE	1
8	SCREW (ST4.8 x 78)	4	31	DAMPING BUSHING	1	54	TOOTHED SHAFT	1	77	CLAMP HOLDER	1
9	GEAR HOUSING	1	32	RETAINING RING (27.5 x 2)	1	55	BALL BEARING (609-2RS)	1	78	WINGED SCREW	1
10	NEEDLE BUSHING HK0709	1	33	STRIKER	1	56	ARMATURE	1	79	CLAMPING BAND	1
11	LOCKING PLATE	1	34	O-RING	1	57	BALL BEARING (607-2RS)	1	80	T-BOLT	1
12	OIL SEAL (24x35x7)	1	35	PISTON	1	58	AIR-DEFLECTOR RING	1	81	DEPTH GAUGE	1
13	SCREW (ST4.2 x 13)	1	36	SHIM RING	1	59	SCREW (ST4 x 10)	4	82	CLUTCH DISC	1
14	NEEDLE-ROLLER BEARING	1	37	SEAL RING	1	60	FIELD	1	83	BUSHING ASS'Y	1
15	RED BUTTON	1	38	BUSHING	1	61	RUBBER BEARING SLEEVE	1	84	BRUSH SPRING	2
16	SPRING	1	39	HDDING FORK	1	62	MOTOR HOUSING	1	85	RETAINING RING (29 x 1.5)	1
17	DRIVER PIN	1	40	INTERMEDIATE FLANGE	1	63	BRUSH HOLDER	2	86	RETAINING RING (27 x 1.5)	1
18	O-RING	1	41	PROTECTIVE COVER	1	64	CARBON-BRUSH	2	87	RUBBER WASHER	1
19	SLBCTOR KNOB	1	42	O-RING	1	65	SCREW (ST3 x 8)	4	88	SUPPORT BLOC	1
20	RETAINING RING (29x2.5)	1	43	PISTON PIN	1	66	INDUCTOR	1	89	U-NUT	1
21	SUPPORTING DISC	1	44	BUSHING ASSY	1	67	CONNECTING CABLE	2	90	U-NUT	1
22	COMPRESSION SPRING	1	45	SPRING	1	68	SWITCH	1	91	SCRWB (ST4 x 16)	2
23	CYLINDRICAL GEAR	1	46	NEEDLE BEARING HK0609	1	69	CAPACITOR	1	92	BUSHING	1